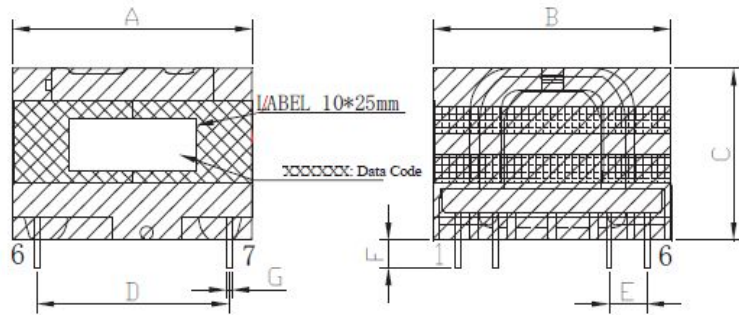


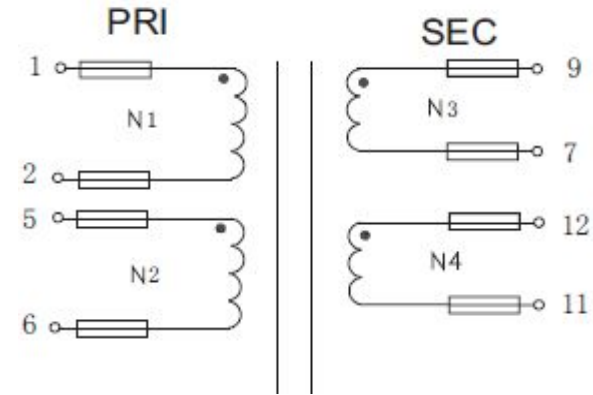
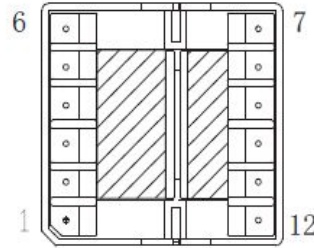
CUSTOMER TERMINAL	ROHS	Lead(Pb)-free
	YES	YES

1. Mechanical Dimensions



A	36.5	MAX
B	36.8	MAX
C	26.8	MAX
D	28.0	±0.4
E	5.5	±0.3
F	4.0	±0.5
G	0.8	±0.1

2. Schematic Diagram



3. Material List

Core:FW44 ETD34
 Bobbin:FWB3404(6+6PIN) FWB3404-1(COVER)
 Wire:LITZ TIW
 Copper foil:0.025t*10.0mm
 Operating Temperature: -30 to115 °C

4. Electrical Specification

Inductance : $L(1-2):1.1mH \pm 5\%$ 50KHZ , 1.0V
 Leakage Inductance : $203\mu H \pm 4\%$ 50KHZ , 1.0V
 DCR : (1-2)=280mΩ MAX (9-7)=330mΩ MAX
 Hi-Pot:P-S: AC 60Hz 4000V 1mA 3S
 P、S-CORE: AC 60Hz 2000V 1mA 3S

REV.	DATE	 Convention Placement	DRW.		Drawing Title:	Part No:
0	00/00		CHK.			
ROHS			www.ferriwo.com	APP.		Customer P/N